



2

Site Requirements

Overview

Introduction

This chapter describes the customer site requirements which must be available before unpacking can take place.

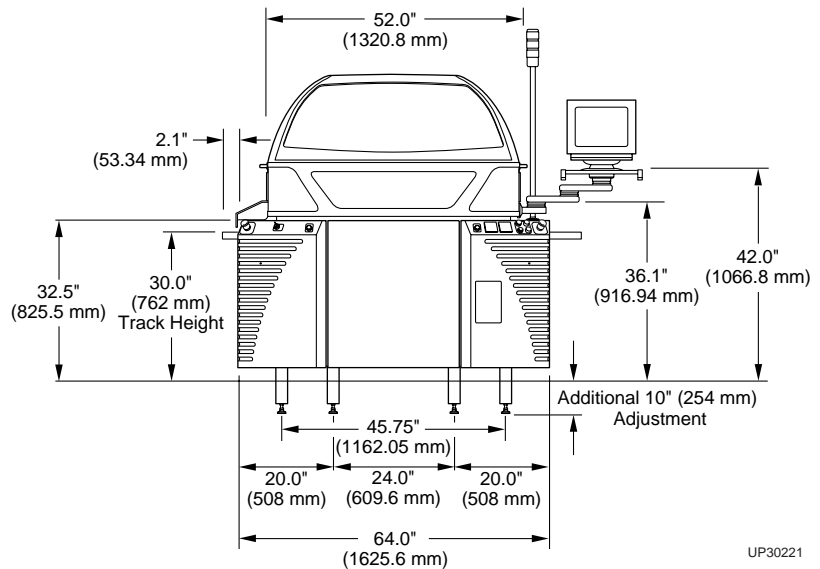
In this chapter

The following is covered in this chapter.

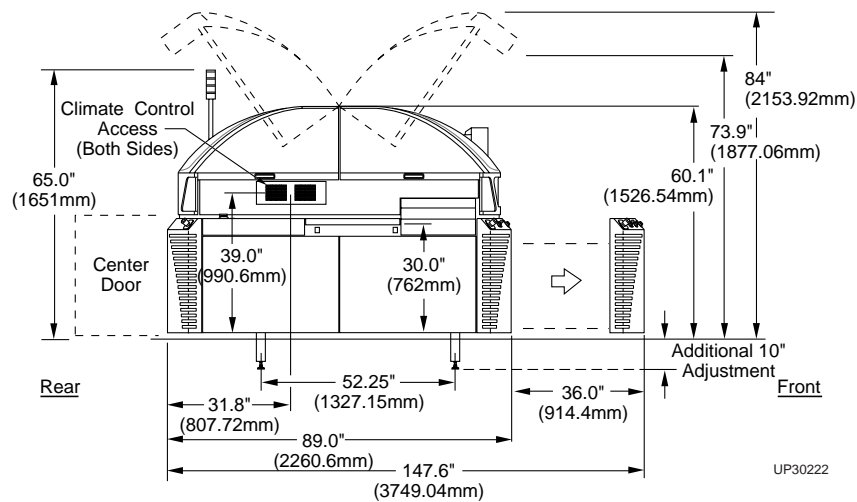
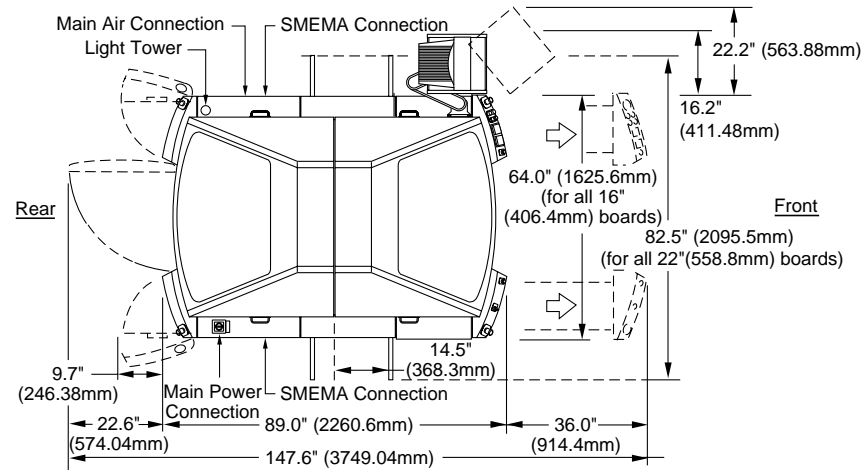
For information on	See Page
Dimensions and Floor space Requirements	1
Utility and Environmental Requirements	2

Dimensions and Floor space Requirements

Install the UP3000 Ultraflex in a clean, dust-free environment to ensure proper operation. In addition, the installation area should provide a clearance of 2 ft (60.96 cm) around to provide adequate space for service.



UP30221



Utility and Environmental Requirements

Below are the utility and environmental requirements necessary to safely operate the UP3000 Ultraflex.

Utility	Requirements
Electrical Power	208 - 240 VAC 1 phase/20 AMP (MAX) 50 or 60 Hz (customer specified)
Pneumatic	25 SCFM AT 100PSI
Temperature	50 TO 95°F (10 to 35°C)
Weight	3400 lbs (1542 kg)